

Tumble dryer

TD6-20



Dryer featuring exceptional savings and effortless use



Priority on people

Certified ergonomic design with a human-centered approach for an outstanding user experience

- Lint filter
The horizontal filter drawer is positioned for easy access and cleaning without the need to bend down



Long-term savings

Innovative features to save money and time, and embrace a sustainable lifestyle

- Moisture Balance
Helps to stop the drying process at the right time to save on energy costs



Pure control

Monitor your equipment and performance from anywhere, allowing to take action and to improve your business with OnE Laundry - the personal assistant for hygiene validation management, process management and revenue management



Outstanding productivity

Dry more laundry in less time: a game-changing improvement

- Reversing drum
Minimizes wrinkles and drying time to get an effective and even drying performance

Main options and accessories

- Insulated glass door keeps the door cool on the outside and heat on the inside, so the room temperature is not affected
- Lagoon Advanced Care
- Drum Speed Control adjusts the movement of the drum to help garments move correctly for a faster drying process
- Door, front and side panels are available in stainless steel
- Connectable to booking-/payment system or coin meter
- Adaptive Fan Control - The Adaptive Fan Control adjusts the fan speed automatically to keep air flowing efficiently which will save energy and help to optimize the drying time. It can also be used to reduce the noise level when needed. (Only available on electric heated machines)



Images shown are a representation of the product only and variations may occur.

| Main specifications | | | TD6-20 | | | |
|-----------------------------------|---------------------|------------|--------------|---------|------|-------|
| Rated capacity, | filling factor 1:18 | kg/lb | 20.0/44.1 | | | |
| | filling factor 1:22 | kg/lb | 16.4/36.2 | | | |
| Drum volume | | litre | 360 | | | |
| Drum diameter | | mm | 755 | | | |
| Heating, | electric | kW | 13.5/18.0 | | | |
| | gas | BTU/h (kW) | 71700 (21.0) | | | |
| | steam at 700 kPa | | 25.0 | | | |
| Consumption data* | | | 13.5 kW | 18.0 kW | Gas | Steam |
| Total time full load | | min | 36 | 27 | 26 | 23 |
| Energy consumption full load | | kWh | 8.2 | 8.2 | 9.3 | 9.9 |
| Evaporation | | g/min | 228 | 302 | 321 | 352 |
| Energy kWh/litre water evaporated | | kWh/l | 1.00 | 1.00 | 1.13 | 1.21 |

* At rated capacity 100% cotton load at 50% initial moisture dried to 0%.

Produced according to ISO 9001 and ISO 14001.

Certified with CB certificate for Low Voltage Directive and S-mark according to the Machinery Directive. Protection class IP X4D.

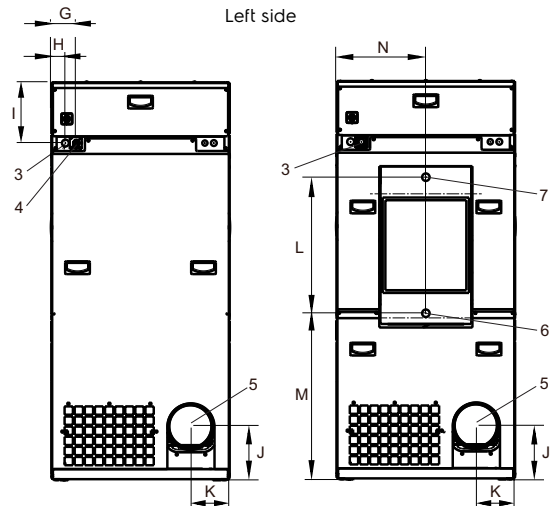
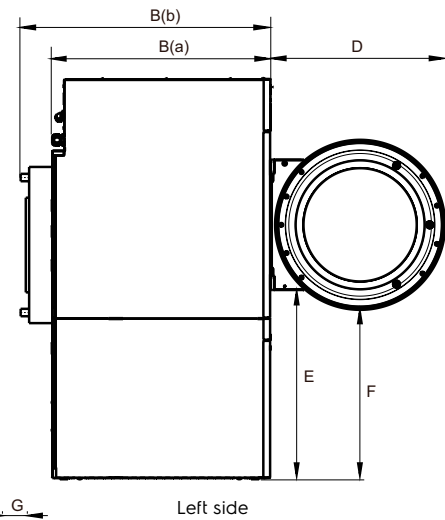
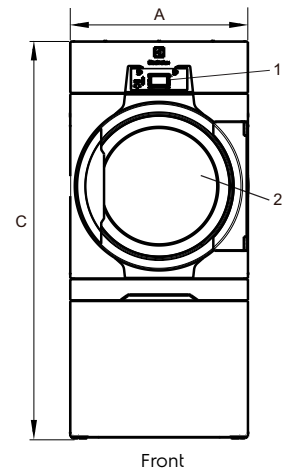
| Electrical connections | | | | | |
|-----------------------------|---------------|-------|------------------|----------------|--------------------|
| Heating alternative | Main voltage | | Heating power kW | Total power kW | Recommended fuse A |
| | | Hz | | | |
| Electric heated | 220-230V 3 - | 50/60 | 13.5/18.0 | 14.5/19.0 | 50/50 |
| | 240V 3 - | 50/60 | 13.5/18.0 | 14.5/19.0 | 35/50 |
| | 380-415V 3N - | 50/60 | 13.5/18.0 | 14.5/19.0 | 25/35 |
| | 440V 3 - | 50/60 | 13.5/18.0 | 14.5/19.0 | 20/35 |
| | 480V 3 - | 60 | 13.5/18.0 | 14.5/19.0 | 20/25 |
| Gas heated/ Steam heated | 220-240V 3 - | 50/60 | * | 1.0 | 10 |
| | 380-415V 3N - | 50/60 | * | 1.0 | 10 |
| | 440V 3 - | 50/60 | * | 1.0 | 10 |
| | 480V 3 - | 60 | * | 1.0 | 10 |

* Total power and recommended fuse does not depend on the heating power in those cases.

| Steam, gas and air connections | | | TD6-20 | |
|---------------------------------------|--|------------------------|---------------|------------|
| Steam | ISO 7/1-R | | 1" | |
| Steam pressure | kPa | | 100-1000 | |
| Steam consumption | kg/h | | 65 | |
| Condensate | ISO 7/1-R | | 1" | |
| Gas | ISO 7/1-R | | 1/2" | |
| Gas pressure | Natural gas | Pa | 2000 | |
| | | mbar | 20 | |
| | Propane | Pa | 2800-5000 | |
| | | mbar | 28-50 | |
| Air outlet | | ø mm | 200 | |
| Evacuated air, | | m ² /h | el 13.5 kW | 370 |
| | | | el 18.0 kW | 525 |
| | | | gas 21.0 kW | 600 |
| | | | steam 25.0 kW | 690 |
| | | | Pressure drop | el 13.5 kW |
| | el 18.0 kW | | 650 | |
| | gas 21.0 kW | | 650 | |
| | steam 25.0 kW | | 650 | |
| Sound levels | | | | |
| Sound power/pressure level at drying* | | | | |
| | | dB(A) | 72/56 | |
| Heat emission | | | | |
| % of installed power, max | | | 15 | |
| Shipping data** | | | | |
| Weight | | net, kg | 243 | |
| Shipping volume | | crated, m ³ | 2.07 | |
| Dimensions in mm | | | | |
| A | Width | | 790 | |
| B(a) | Depth, el and gas | | 1202 | |
| B(b) | Depth, steam | | 1342 | |
| C | Height | | 1771 | |
| D | | | 773 | |
| E | | | 836 | |
| F | | | 750 | |
| G | | | 110 | |
| H | | | 62 | |
| I | | | 270 | |
| J | | | 240 | |
| K | | | 174 | |
| L | | | 605 | |
| M | | | 739 | |
| N | | | 396 | |
| 1 | Operating panel | | | |
| 2 | Door opening ø 580 mm | | | |
| 3 | Electrical connection on gas heated machines | | | |
| 4 | Gas connection/Electrical connection on electrical heated machines | | | |
| 5 | Exhaust connection | | | |
| 6 | Condensate connection | | | |
| 7 | Steam connection | | | |

* Sound power levels measured according to ISO 60704.

** Average data. Crated weight/shipping volume depends on configuration. Please contact logistics for exact measures.



El, gas

Steam

Rear side